

ELECON SUPER SERIES IN WORM GEAR UNITS

SIZE :- 1 ⁵/₈" to 3.54"

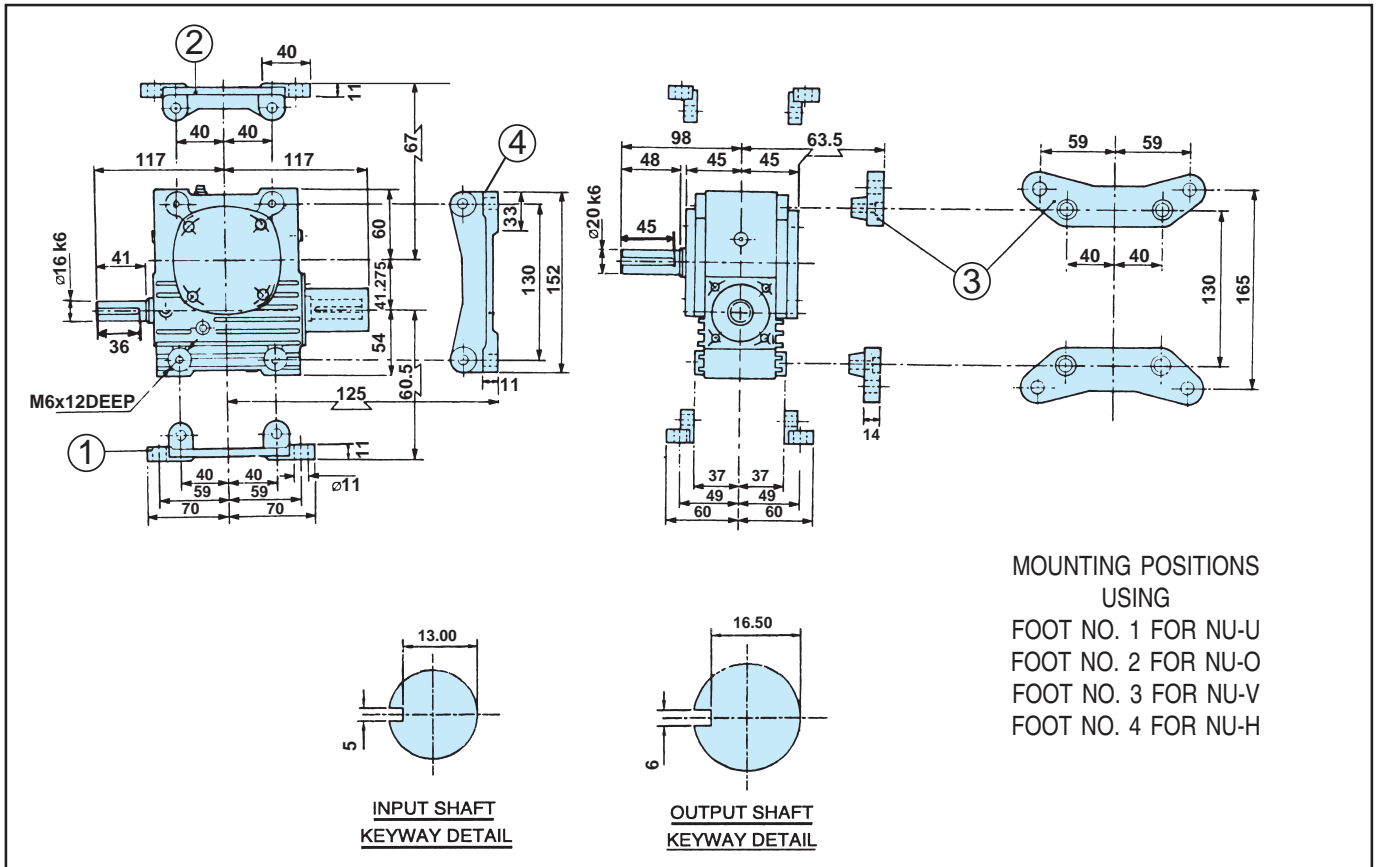


Super NUSeries

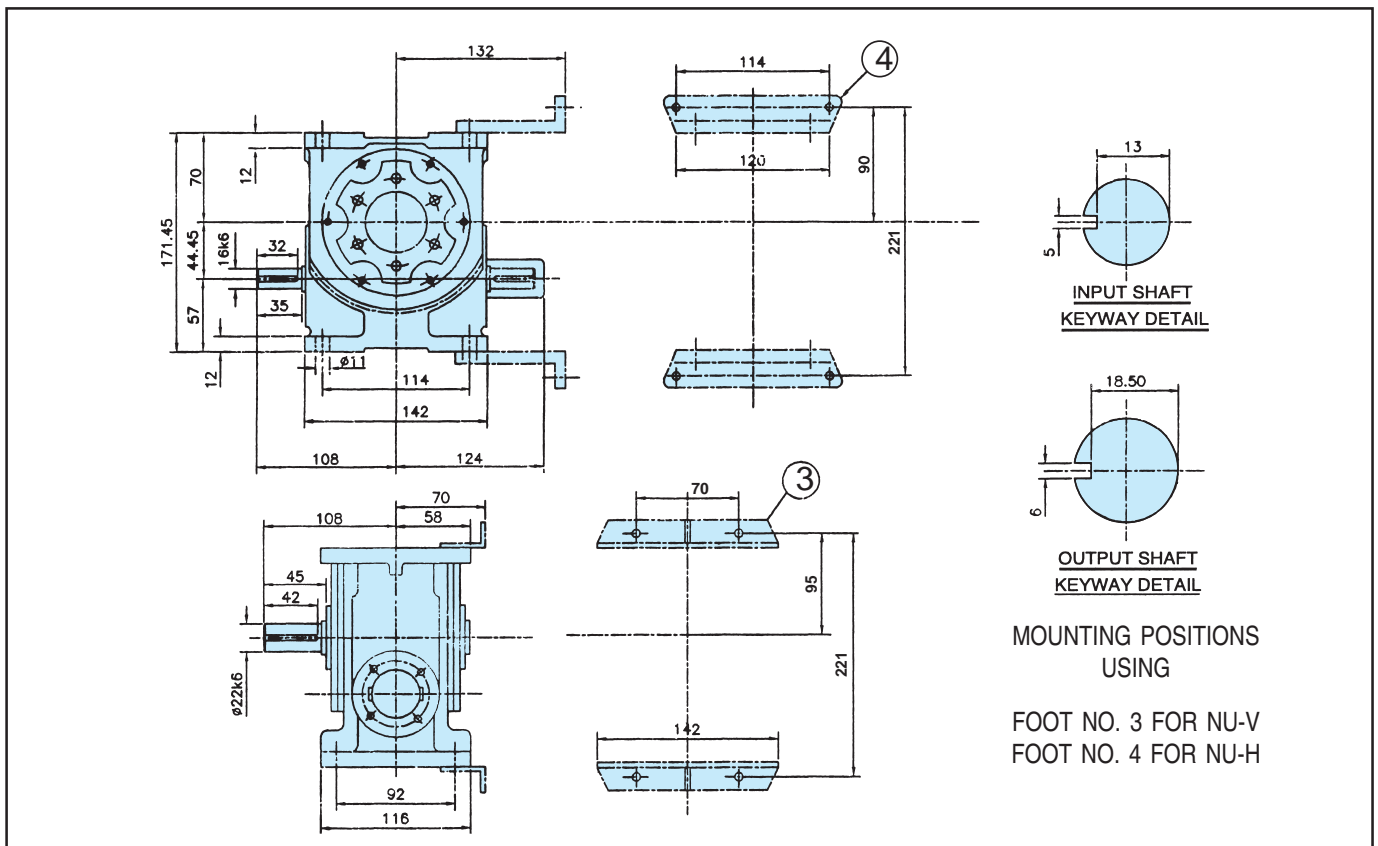


Always a step ahead in technology

1⁵/₈ SNU

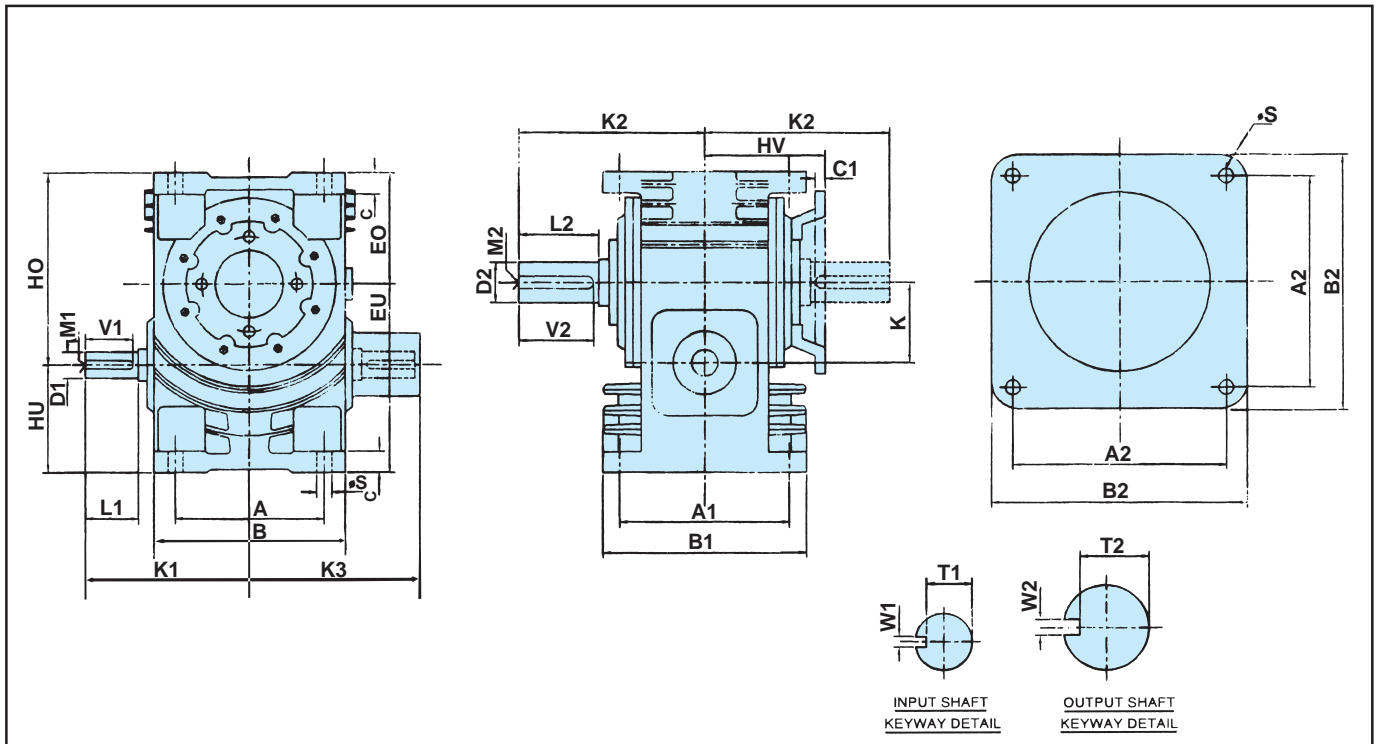


1³/₄ SNU



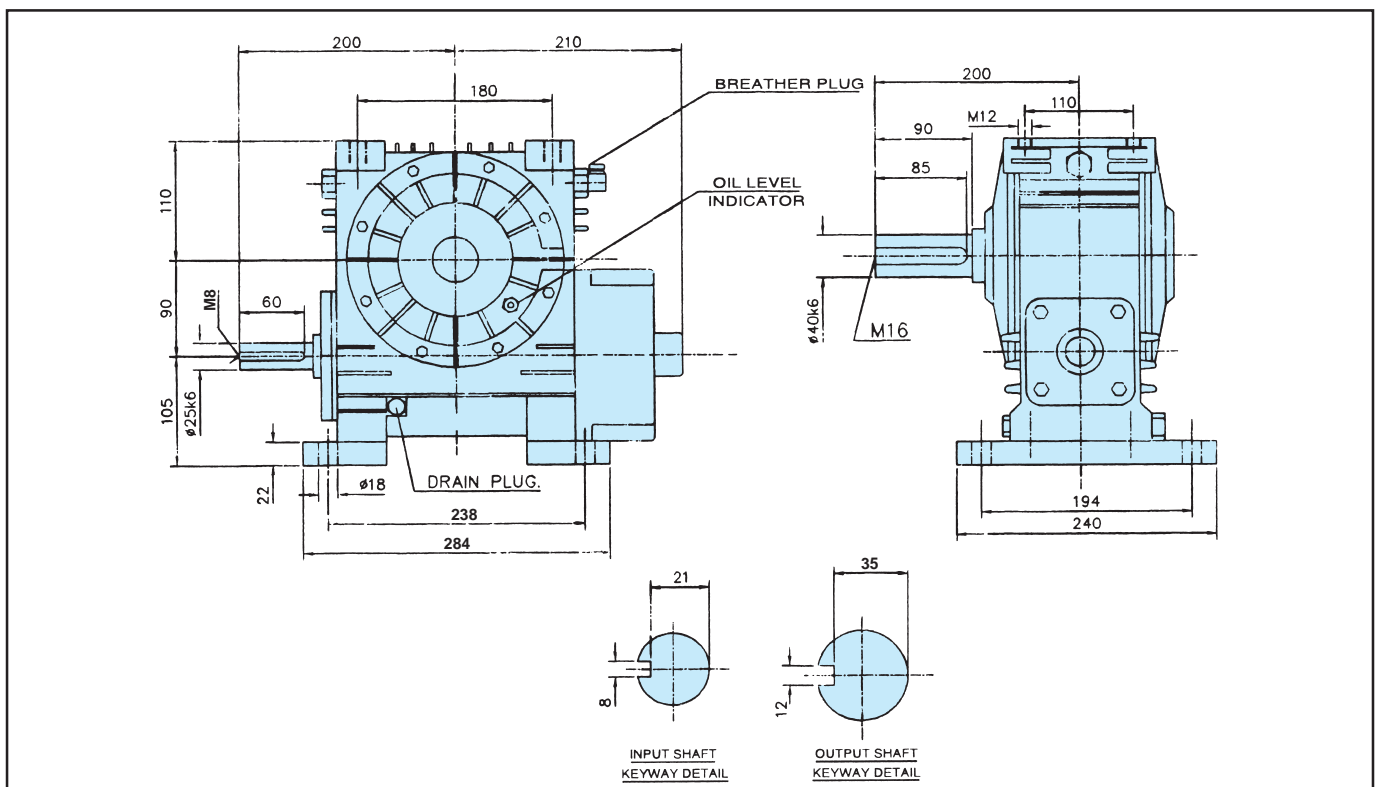
Key & Keyways as per IS 2048. Shaft limits up to 58dia.-k6 and above 58 dia.-m6

2 TO 3 SNU-U, O, V



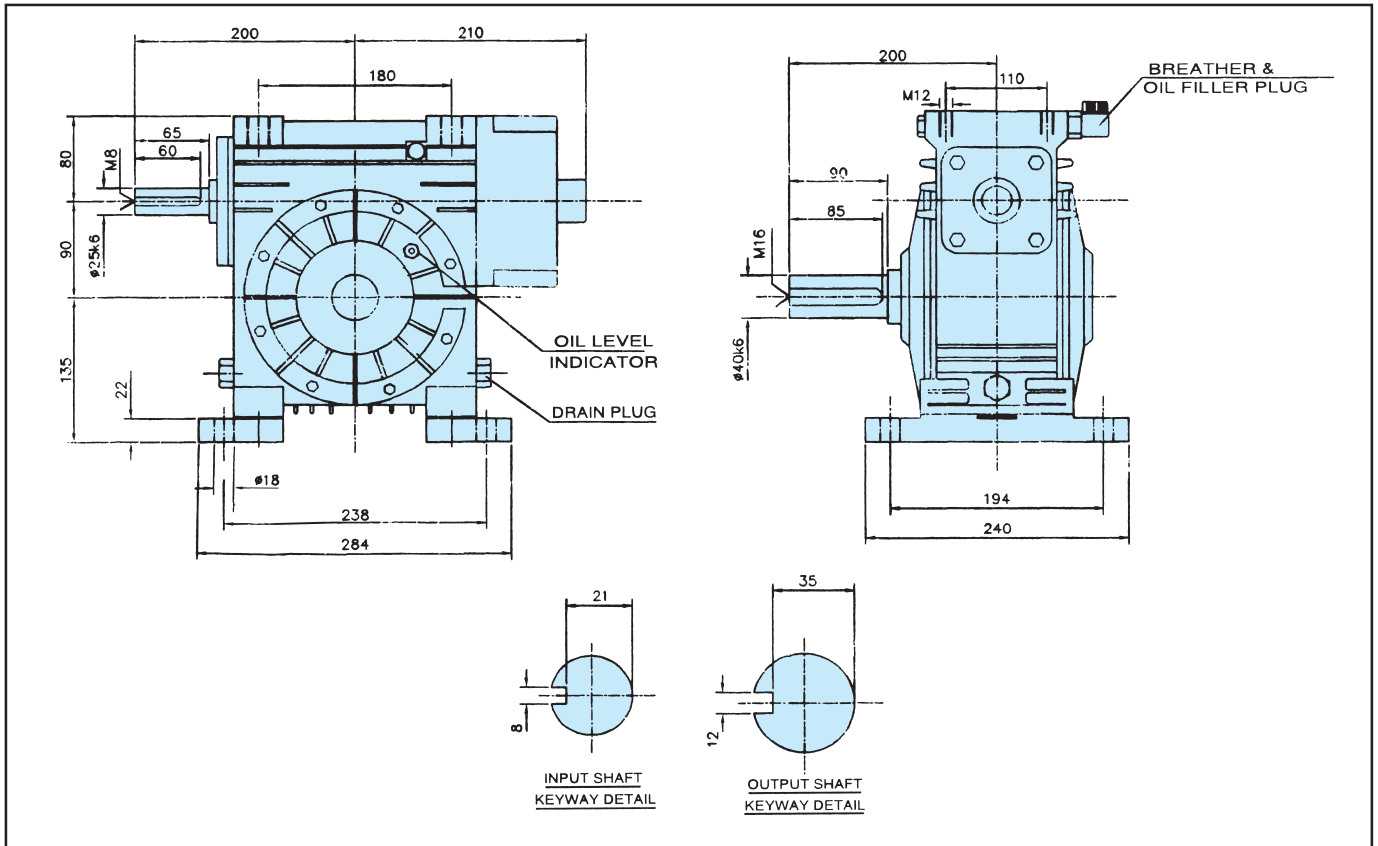
SIZE	A	B	A1	B1	C	A2	B2	C1	F S	HU	EU	HO	EO	HV	K	K1	K2	K3	D1	L1	M1	T1	W1	D2	L2	M2	T2	W2	V1	V2
2 SNU	95	142	100	125	14	120	150	14	11	70	120.8	133.8	83	94	50.8	133	128	140	16	47	-	13	5	25	57	-	21	8	45	55
2 1/4 SNU	105	152	105	132	14	120	150	14	11	70	127.15	142.15	85	100	57.15	142	136	150	22	50	-	18.5	6	25	60	-	21	8	45	55
3 SNU	140	180	160	192	20	200	240	16	14	102	178.20	181.20	105	125	76.20	155	175	165	25	50	MB	21	8	38	75	M16	33	10	45	70

3.54 SNU-U

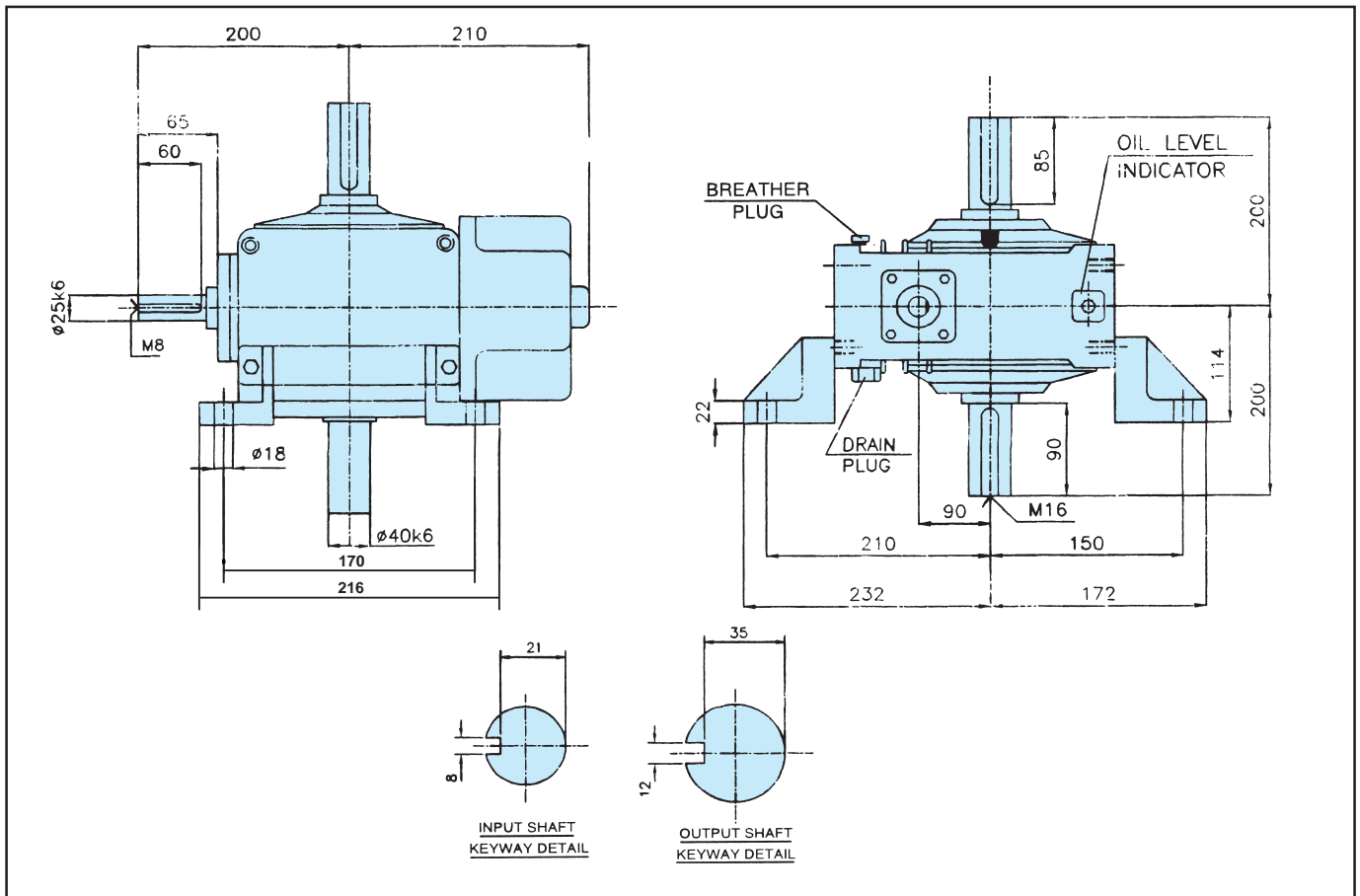


Key & Keyways as per IS 2048. Shaft limits up to 58dia.-k6 and above 58 dia.-m6

3.54 SNU-O

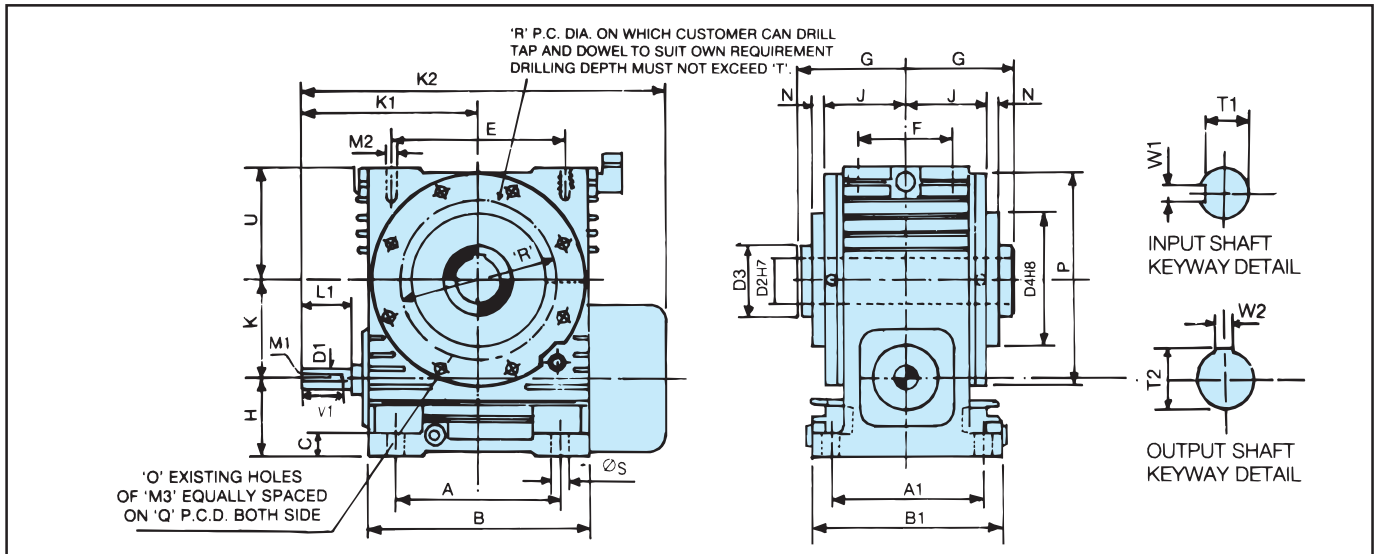


3.54 SNU-V



Key & Keyways as per IS 2048. Shaft limits up to 58dia.-k6 and above 58 dia.-m6

SNU-SM SHAFT MOUNTED WORM GEAR UNIT



SIZE	K	H	U	K1	K2	G	J	N	D1	L1	V1	M1	T1	W1	D2	T2	W2	D3	D4	P	A	A1	B	B1	C	S	E	F	M2	O	Q	M3	R	T
2 1/4 SNU-SM	57.15	70	85	142	295	75	58	4	22	50	45	-	18.5	8	30	33.3	8	50	105	135	105	105	152	132	14	11	105	105	11	8	124	M8	-	-
3 SNU-SM	76.2	102	105	155	330	100	80	5	25	50	45	M8	21	8	50	53.8	14	80	138	177	140	160	180	192	20	14	140	160	14	8	158	M8	-	-
3.54 SNU-SM	90	105	110	200	384	92	90	-	25	65	60	M8	21	8	45	49	14	80	-	200	238	194	284	240	22	18	180	110	M12	8	180	M8	-	-

Key & Keyways as per IS 2048. Shaft limits up to 58dia.-k6 and above 58 dia.-m6

RATINGS AT INPUT SPEED 1500 R.P.M.

GEAR RATIO	OUTPUT SPEED R.P.M.	CAPACITY	SIZE OF UNIT					
			1 5/8	1 3/4	2	2 1/4	3	3.54
5	300	INPUT POWER KW	1.46	2	2.9	3.8	8	12.5
		OUTPUT TORQUE Nm	44.2	56.6	83.1	112.52	31.8	362.1
7.5	200	INPUT POWER KW	1.3	1.45	2.2	3	6.86	8
		OUTPUT TORQUE Nm	54.6	61	92.4	127	294.8	343.8
10	150	INPUT POWER KW	1.2	1.3	1.75	2.8	5.75	7
		OUTPUT TORQUE Nm	69.5	74.5	97	146	325.8	392.2
15	100	INPUT POWER KW	1.14	1.2	1.6	1.9	4.13	6
		OUTPUT TORQUE Nm	90.36	96.3	122.2	154.2	347.1	492.8
20	75	INPUT POWER KW	0.8	0.83	1.5	1.62	3.78	4.6
		OUTPUT TORQUE Nm	86.6	88.8	149	161	404.3	503.7
25	60	INPUT POWER KW	0.7	0.72	1.3	1.44	3.15	4
		OUTPUT TORQUE Nm	79.1	90	155.1	176.5	411.1	547.5
30	50	INPUT POWER KW	0.6	0.63	1.15	1.3	2.75	3.6
		OUTPUT TORQUE Nm	85.6	91.5	160.3	186.2	430.7	550
40	37.5	INPUT POWER KW	0.45	0.5	0.8	0.97	2.27	2.8
		OUTPUT TORQUE Nm	88	94.3	146.7	177.9	439.4	549.1
50	30	INPUT POWER KW	0.34	0.36	0.65	0.72	1.82	2.1
		OUTPUT TORQUE Nm	70.4	78	145	160.4	423	508
60	25	INPUT POWER KW	0.3	0.31	0.45	0.55	1.6	1.8
		OUTPUT TORQUE Nm	58.5	75.8	110	140.7	434	515.7
70	21.4	INPUT POWER KW	0.26	0.27	0.4	0.43	1.3	1.13
		OUTPUT TORQUE Nm	58.1	74	107	124.7	406.1	462.3

- The Ratings are based on service factor of 1, continuously transmitted for 12 hours/day with normal overload of 100% momentarily for 15 seconds, 40% for 30 minutes, 25% for 2 hours.
 - For Ratings at other Input speed please consult ELECON.

ACTUAL GEAR RATIO

SIZE OF UNIT	NOMINAL RATIO										
	5	7.5	10	15	20	25	30	40	50	60	70
1 ⁵ / ₈	5.25	7.33	10.5	14.5	20	25	30	40	50	60	70
1 ³ / ₄	5.20	7.33	9.66	14.5	21	26	29	40	50	60	70
2	5	7.5	9.5	15	19	25	30	40	50	61	70
2 ¹ / ₄	4.8	7	10.5	14.5	21	24	29	39	50	60	70
3	4.83	7.25	9.67	14.5	20	25	30	40	50	60	70
3.54	4.83	7.25	9.66	14.5	20	25	30	40	50	59	70

RECOMMENDED LUBRICANTS

Brands	Grade
Bharat Petroleum	Cabol 320
Castrol	Alpha Zn 320 or Alpha Sp-320 or Tribol 1100/320 TGQA
Hindustan Petroleum	Enklo 320 or Parthan EP 320
Indian Oil	Servomesh SP 320 or Servosystem 320

AVERAGE WEIGHT IN KILOGRAMS

Gear Size	1 ⁵ / ₈		1 ³ / ₄		2		2 ¹ / ₄		3		3.54	
	NET	GR.	NET	GR.	NET	GR.	NET	GR.	NET	GR.	NET	GR.
SNU-U	7	8.5	8	10.5	12	23	14	25	32	60	40	65
SNU-O	7	8.5	8	10.5	12	23	14	25	32	60	40	65
SNU-V	7.3	9	8.5	11.5	14	24	15	25	37	67	43	68
SNU-SM	-	-	-	-	15	28	16	28	35	65	41	66

RECOMMENDED GREASE : FOR LOW SPEED OF OPERATION

BRAND	GRADE
Castrol	EPL 2
Indian Oil	Servogem EP 2

PRODUCT SAFETY INFORMATION

General

ELECON gear units will operate safely provided that they are selected, installed, used and maintained properly. As with any equipment consisting of rotating shafts and transmitting power, adequate guarding is necessary to eliminate the possibility of physical contact with rotating shafts or coupling.

Potential Hazards

The following points should be noted and brought to attention to the persons involved in the installation, use and maintenance of equipment.

1. For lifting of gear unit eye-bolts or lifting points (on larger units) should be used.
2. Check the grade and quantity of lubrication before commissioning. Read and carry out all instructions on lubricant plate and in the installation and maintenance manual literature.
3. Installation must be performed in accordance with the manufacturer's instruction and be undertaken by suitably qualified personnel.
4. Ensure the proper maintenance of gearboxes in operation. **USE ONLY ELECON SPARES FOR GEARBOXES.**
5. The oil level should be examined periodically, if required the oil should be filled again.
6. The operating speeds, transmitting powers, generated torques or the external loads must not exceed the design values.
7. The driving and the driven equipment must be correctly selected to ensure that the complete installation of the machinery will perform satisfactorily e.g. avoiding system critical speeds, system torsional vibration etc.

Any other required information or clarification can be obtained by writing to :

ELECON ENGINEERING CO. LTD.

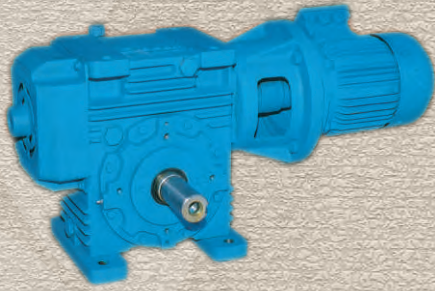
POST BOX # 6, VALLABH VIDYANAGAR 388 120, GUJARAT, INDIA

TEL.: +91-2692-236513, 236520, 232890 FAX : +91-2692-236527

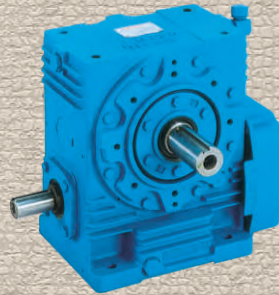
E-MAIL : infogear@elecon.com

Web Site : <http://www.elecon.com>

As improvement in designing are continuously being made, the details and dimensions are subject to alteration without notice.



Worm Gear Motor



Worm Gear Unit



Heavy Duty worm gear Unit



Heavy duty Stirrer Units

MARKETING & SERVICING COMPANY



EMTICI ENGINEERING LIMITED

REGISTERED OFFICE :

Anand - Sojitra Road, Vallabh Vidyanagar - 388 120, Gujarat, INDIA Phones : +91 269 223 0168, +91 269 223 1125 Fax : +91 269 223 6508 Website : www.emtici.co.in

NATIONAL BRANCHES :

AHMEDABAD :

Phone : +91 79 26406683, 26406684, 26406685
Fax : +91 79 26401363
E-mail: sales@ahdemtici.elecon.com

BILASPUR :

Phones : +91 7752 247723, 247625
Fax : +91 7752 247720
E-mail : salesbil@bilemtici.elecon.com

INDORE :

Phone : +91 731 2558077
Telefax : +91 731 2558077

MADURAI :

Phone : +91 4549 293488
Fax : +91 4549 293468

NEW DELHI :

Phones : +91 11 23414340, 23414341, 23414069
Fax : +91 11 23709046
E-mail : salesdel@delemtici.elecon.com

ASANSOL :

Phones : +91 341 2305901, 2311726
Fax : +91 341 2302038
E-mail : salesasn@asnemtici.elecon.com

CHENNAI :

Phones : +91 44 24349237, 24349497, 24322455
Fax : +91 44 24349643
E-mail : salesmad@mademtici.elecon.com

JAMSHEDPUR :

Phones : +91 657 2361837, 2362376
Fax : +91 657 2464241
E-mail : salesjns@jampemtici.elecon.com

MUMBAI :

Phones : +91 22 22821315, 22820725, 22821365
Fax : +91 22 22870791
E-mail : salesbom@bomemtici.elecon.com

PUNE :

Phones : +91 20 40191400
Fax : +91 20 40191420
E-mail : salespune@puneemtici.elecon.com

VADODARA :

Phone : +91 265 2312972, 23136701
Fax : +91 265 2312982
E-mail : salesbrd@brdemtici.elecon.com

BANGALORE :

Phones : +91 80 22260219, 22281834
Fax : +91 80 22281834
E-mail : salesbgl@bglemtici.elecon.com

DHANBAD :

Phones : +91 326 2230404
Fax : +91 326 2230490
E-mail : salesdhn@dhnemtici.elecon.com

KOLKATA :

Phones : +91 33 24761861, 24760876
Fax : +91 33 24761831
E-mail : salescal@calemtici.elecon.com

NAGPUR :

Phones : +91 712 6642600, 6642601, 6642602
Fax : +91 712 6642622
E-mail : salesnag@nagemtici.elecon.com

SECUNDERABAD :

Phones : +91 40 27844748, 27845250
Fax : +91 40 27848317
E-mail : salessec@secemtici.elecon.com

INTERNATIONAL BRANCHES :

MIDDLE EAST :

ELECON MIDDLE EAST FZCO
Phone : +97 146 091 424, +97 146 091 425
Fax : +97 146 091 426
E-Mail : rajen@dubai.elecon.com
milap@dubai.elecon.com
nirav@dubai.elecon.com

FAR EAST :

ELECON SINGAPORE PTE. LTD.
Phone : +65 622 782 58
Fax : +65 622 789 42
E-Mail : vipul@singapore.elecon.com
tejas@singapore.elecon.com



Always a step ahead in technology

Manufactured by :

ELECON ENGINEERING CO. LTD.

Post Box # 6, Vallabh Vidyanagar - 388 120, Gujarat, INDIA

MHE DIVN. : Tel. : +91 269 223 7016, +91 269 223 6521, +91 269 223 6590 E-mail : infomhe@elecon.com

GEAR DIVN. : Tel. : +91 269 223 6469, +91 269 223 6513, +91 269 223 6516 Fax : +91 269 223 6527 E-mail : infogear@elecon.com

Website : www.elecon.com